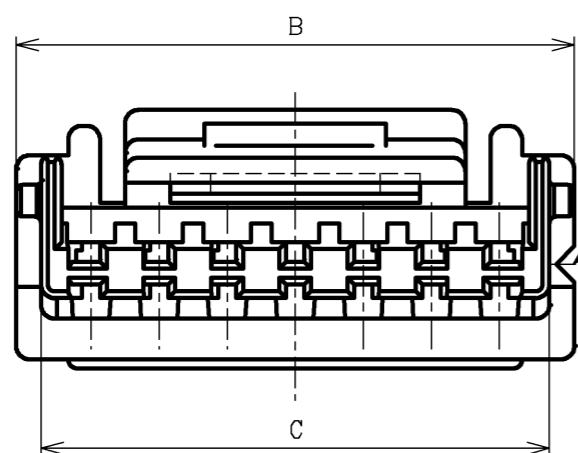
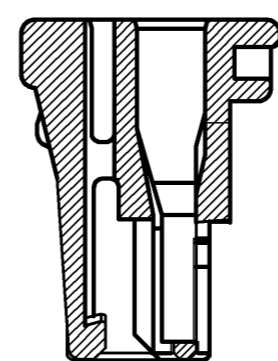
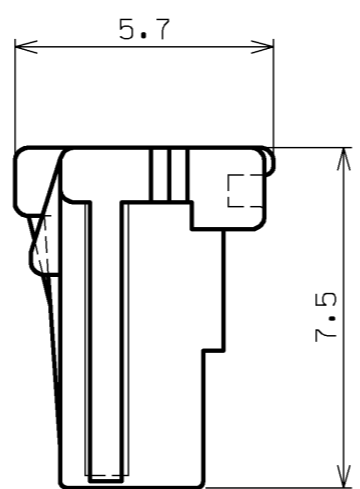
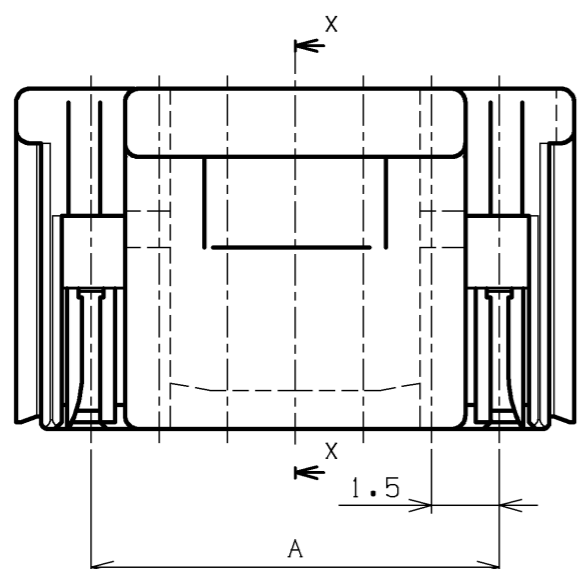
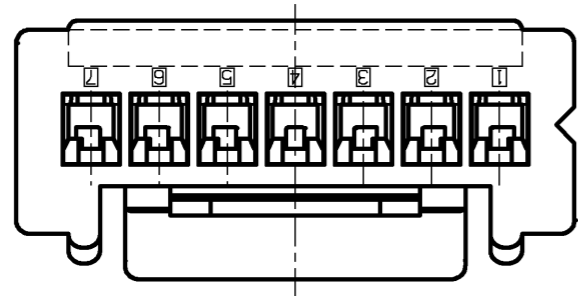


1 2 3 4 5 6 7 8

REV.	DESCRIPTION	DATE	DESIGNED
△			

A  
B  
C  
D  
E  
F



NOTE  
 1. Unless otherwise specified,  
 tolerances are :  $0 \leq L \leq 3.0 : \pm 0.3$   
 $3.0 < L : \pm 0.4$

Circuits	Dimensions		
	A	B	C
2	1.5	5.0	3.7
3	3.0	6.3	5.2
4	4.5	7.8	6.7
5	6.0	9.3	8.2
6	7.5	10.8	9.7
7	9.0	12.3	11.2
8	10.5	13.8	12.7
9	12.0	15.3	14.2
10	13.5	16.8	15.7
11	15.0	18.3	17.2
12	16.5	19.8	18.7

COLOR	Part No.
NATURAL	ZER-( )V-S

SOCKET HOUSING		PBT		UL94V-0	
No.	PART NAME	MATERIAL		SURFACE FINISH	REMARKS
SIZE	UNIT	SCALE	PROJECTION	DATE	CUSTOMER
A3	METRIC	6:1		JAN. 15. 2007	
APPROVED	CHECKED	DESIGNED	DRAWN		
S.K	M.N	T.S			
<b>JST</b> J.S.T.MFG.CO., LTD.				SERIES NAME	ZE CONNECTOR
				PART No.	ZER-( )V-( )
				DRAWING No.	KRD-40704
					RO

THIS DRAWING CONTAINS INFORMATION THAT IS PROPRIETARY TO J.S.T. AND SHOULD NOT BE USED WITHOUT WRITTEN PERMISSION.

EC4109-2